



P.I.T.[®]

Progressive Innovational Technology

EN PRODUCT PASSPORT
USER'S MANUAL

RU ПАСПОРТ ИЗДЕЛИЯ
ИНСТРУКЦИЯ ПОЛЬЗОВАТЕЛЯ

ANGLE GRINDER

УГЛОВАЯ ШЛИФОВАЛЬНАЯ МАШИНА



PWS125-C5

PWS125-C6

PROGRESSIVE INNOVATIONAL TECHNOLOGY

ПРОГРЕССИВНЫЕ ИННОВАЦИОННЫЕ ТЕХНОЛОГИИ



GENERAL SAFETY PRECAUTIONS

WORKPLACE SAFETY

1. Keep the workplace clean and provide good lighting. If the workplace is cluttered or poorly lit, this can lead to accidents.
2. Do not operate electrical machines in an explosive atmosphere (for example, in the presence of flammable liquids, gases or dust). Electric driven machines are a source of sparks, which can lead to the ignition of dust or fumes.
3. Keep children and unauthorized persons away from the electric machine while it is operating. Distraction of attention can result in loss of control of the machine.

ELECTRICAL SAFETY

1. The plugs of the electric machines must be suitable for sockets. Never change the plug in any way. Do not use any adapters for machines with ground wire. Use of original plugs and appropriate socket will reduce the risk of electric shock
2. Prevent body contact with grounded surfaces, such as pipes, radiators, cookers and refrigerators. There is an increased risk of electric shock if your body is grounded.
3. Do not expose electrical machines to rain or keep them in wet conditions. Water ingress in an electric machine increases risk of electric shock.
4. Handle a cord with care. Never use a cord for carrying, dragging an electric machine, and pulling a plug out of the socket. Avoid exposing a cord to heat, oil, sharp edges or moving parts. Damaged or twisted cords increase the risk of electric shock.
5. When operating an electrical machine outdoors, use an extension cord suitable for outdoor use. The use of an extension cord for outdoor use reduces the risk of electric shock.
6. If operation of the electric machine in wet conditions cannot be avoided, use a power supply equipped with a residual current device (RCD). Using a RCD reduces the risk of electric shock.

PERSONAL SAFETY

1. Be careful, watch your actions and apply common sense when operating electric machines. Do not use electric machines if you are tired, under the influence of drugs, alcohol or medicines. Short-term loss of concentration during electric machines operation can result in serious damage.
2. Use personal protective equipment. Always wear eye protection. Protective equipment such as dust-proof masks, slip-resistant footwear, helmet or ear protectors used in appropriate conditions will reduce the risk of damage.
3. Do not accidentally turn on the machine. Ensure that the switch is in the "OFF" position before connecting to the mains and/or an accumulator battery before lifting and transporting machines. Carrying a machine with a finger on a power switch or connecting a machine with switch in the "ON" position to the mains and can lead to an accident.
4. Before turning on a machine, remove all wrenches or key screws. A screw/wrench left in the vicinity of rotating parts of the machine may cause injury to the operator.
5. When working, do not try to reach anything, always keep a stable position. This will ensure better control of the machine in unexpected situations.
6. Dress appropriately. Do not wear loose clothing or jewelry. Do not approach your hair, clothes and gloves to moving parts of the machine. Free clothing, jewelry and long hair can get into moving parts.
7. If means for connection to the equipment for suction and collection of dust are provided, make sure that they are properly connected and operated. Dust collection can reduce the hazards associated with dust.

SAFETY MEASURES FOR GRINDING MACHINES

1. Angle grinders are designed for grinding using abrasive wheels, abrasive paper, for working with a wire brush and as an abrasive grinder. Observe all warnings, instructions, illustrations and data that you receive with the electric machine. Failure to follow instructions can result in electric shock, fire and/or serious injury.
2. Do not use accessories that are not specified by the manufacturer specifically for this electrical machine and are not recommended for them. Possibility of mounting accessories to your electric tool does not guarantee its safe use.
3. The permissible r.p.m. of the operating tool should not be less than the maximum value indicated on the electric machine. A tool that rotates with a speed greater than permissible r.p.m. may burst and cause injury.
4. The outer diameter and thickness of the working piece should match the dimensions of your electrical machine. Improperly selected tools' sizes cannot be sufficiently protected or monitored.
5. Grinding wheels, flanges, grinding plates or other accessories should be properly mounted on the spindle of your electric machine. Working tools that are not accurately mounted on the spindle rotate out-of-round, with great vibration and can lead to loss of control.
6. Do not use damaged tools. Check each time before use, tools such as grinding wheels for chips and cracks, grinding plates for cracks, risks or severe wear, wire brushes on unfixed or broken wires.
7. Use personal protective equipment. Depending on the type of work, use face shield, safety equipment for eyes or protective goggles. Where appropriate, use dust respirator, hearing protection, protective gloves or special apron to protect you from the abrasive particles and particles of material. Eyes should be protected from dust and sparks, which occur when performing various jobs. A dust respirator or a respiratory protective mask should capture the dust generated during operation. Prolonged exposure to great noise can lead to hearing loss.
8. Make sure that unauthorized persons are at a safe distance to your work site. Each person within the work area must have personal protective equipment. Shards of a part or broken tools may fly off and cause injuries even outside the work site.
9. When you perform work where the work tool can contact a hidden wiring or its own power supply cord hold the electric machine only using the insulated surfaces of the handles. Contact with the live wire also energizes the metal parts of the electric machine and leads to electric shock.
10. Keep the power cord away from the rotating working tool. If you lose control of the electric machine, the power cord can be cut or captured by the rotating part of the working tool.
11. Never release the electric machine from your hands until the working tool completely stops. A rotating working tool can contact a bearing surface, and as a result, you may lose control of the electric machine.
12. Regularly clean the air holes of your electrical machine. The motor fan draws dust into the casing, and a large accumulation of metallic dust can cause the tool breakdown.
13. Do not use accessories that require use of coolants. Use of water or other cooling liquids can result in electric shock.
14. Hold the electric machine tightly and occupy a position in which you can counteract back forces. If available, always use an additional handle to counteract back forces or reaction moments as best as possible when spinning up.
15. Work with special care at the corners, sharp edges, etc. Prevent the tool from bouncing from the workpiece and its jamming. The rotating working tool is inclined to jamming at the corners, sharp edges and at rebound. This causes a loss of control or a kickback.

EXPLANATION OF P.I.T. TRADEMARK

P.I.T. Progressive Innovational Technology

Currently, 10 kinds of mechanical and electrical equipment are produced under the P.I.T. trademark. In terms of sales, angle grinders occupy one of the leading positions.

Each letter and number in the designation of the model of P.I.T angle grinders has the meaning.

For example, **PWS125-C5**

P-Trademark of P.I.T.

WS - angle grinder

125-disk diameter

C5- modification series

PRINCIPLE OF OPERATION

The principle of operation of an angle grinder is as follows. The tool is powered from a standard power supply. Electricity drives the motor of the angle grinder (AG), which drives the nozzle through gears. One of the basic elements of AG is the attachment (wheels, disks, brushes), which is used at the moment, it determines the mode of operation of the tool and the final result of work.

INTENDED USE

The angle grinder is designed for grinding and cutting of metal, concrete, ceramics, stone (except for asbestos-containing ones), as well as stripping of surfaces from all sorts of finishing, paint, primer, insulation and other coatings, rust and salt deposits, corrosion, without water by means of a grinding, cutting wheel.

PRODUCT SPECIFICATIONS

MODEL	RATED VOLTAGE	RATED FREQUENCY	RATED OUTPUT CAPACITY	NO-LOAD SPEED	BLADE DIAMETER	WEIGHT (kg)
PWS125-C5	220V	50 Hz	1000 W	11000 rpm	125 mm	1.78
PWS125-C6	220V	50 Hz	1050 W	3000-11000rpm	125 mm	1.8

DECRYPTING THE DATE OF PRODUCTION OF THE PRODUCT

Date of manufacture of the product is encrypted in the serial number printed on the tool body. The first 2 digits indicate the year of manufacture, the next 2 digits - month and the following two digits - day.

No.

17	07	30	0395
----	----	----	------

↓Year
 ↓month
 ↓day

FUNCTIONAL CAPABILITIES AND FEATURES OF THE ANGLE GRINDER

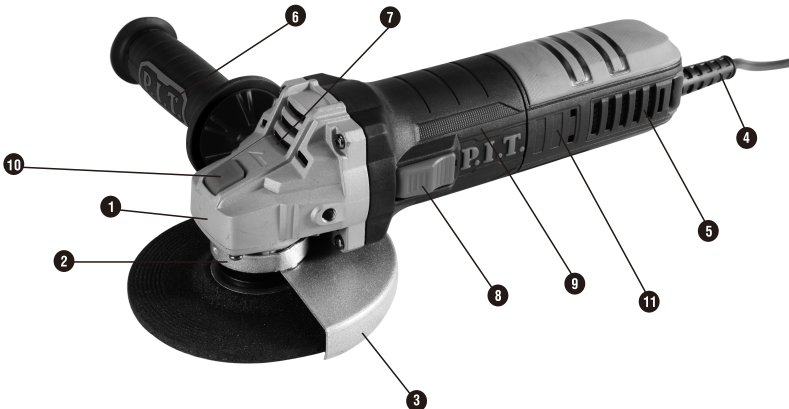
Functional Capabilities:

Cutting, grinding of different metals, stones, steel.

Features:

- Cold-rolled steel engine, has a high degree of resistance to breakage and high capacity with low noise.
- During operation, the engine generates much heat, the fan timely removes this heat, avoiding overheating of the tool and achieving a high cooling effect.
- Gears, output shaft are made of high-quality alloy steel with the use of advanced heat treatment technology, which significantly increases their service life.
- The self-blocking key makes the job safer for the operator.
- The newest dust protection system significantly increases tool life.

MODEL	QUICK-FIX CLAMP	RARE PLANK	DOUBLE INSULATION	SELF-BLOCKING KEY	MAIN SHAFT BLOCKING	SPEED CONTROLLER	TURNING HANDLE	SOFT START	START PROTECTION MECHANISM	RUBBER-COATED HANDLE	DUAL DUST PROTECTION
PWS125-C5	<input type="checkbox"/>	<input checked="" type="checkbox"/>	<input checked="" type="checkbox"/>	<input type="checkbox"/>	<input checked="" type="checkbox"/>	<input type="checkbox"/>	<input type="checkbox"/>	<input type="checkbox"/>	<input type="checkbox"/>	<input type="checkbox"/>	<input checked="" type="checkbox"/>
PWS125-C6	<input type="checkbox"/>	<input checked="" type="checkbox"/>	<input checked="" type="checkbox"/>	<input type="checkbox"/>	<input checked="" type="checkbox"/>	<input type="checkbox"/>	<input type="checkbox"/>	<input type="checkbox"/>	<input type="checkbox"/>	<input checked="" type="checkbox"/>	<input checked="" type="checkbox"/>



1 GEAR CASING



It is made from cast, pressed, treated aluminum with finished painting, what provides to high quality of the tool.

7 AIR INTAKE HOLE



It consists of two layers. The first layer is on the external surface of the casing, another layer is inside the casing, these two layers form a kind of grid. Thus, firstly, if the electrical wire is disconnected, this cannot cause harm to human health. Secondly, this significantly reduces the ingress of dust, fine particles, sand into the tool through the air inlet.

2 DUST CAP



It is located inside the gear casing. It effectively protects against the ingress of fine sand and stones, other fine-grained objects when cutting and grinding.

3 PROTECTION COVER



It protects from sparks flying from the tool during operation.

8 POWER KEY



It is equipped with a safety switch to disable self-blocking at high current, which increases safety during operation.

4 ELECTRICAL CABLE



It consists of a rubberized outer layer, which has a high level of safety, and resistance to high temperatures, corrosion.

9 CASE AND ELECTRIC ENGINE



It is made of special plastic (with the addition of nylon), lightweight, does not conduct electricity, heat. First-class insulating materials were used in its manufacturing.

5 HANDLE



It is made with inserts of soft rubber, which increases the comfort when operating the tool and reduces the feeling of vibration in hands.

10 SPINDLE LOCK BUTTON

It serves to lock the spindle with the subsequent installation of cutting discs.

6 SIDE HANDLE



It is rubberized, what allows to avoid slipping in hands while operating a corner machine and at the same time acts as a shock absorber.

11 BRUSH HOLDER

For quick replacement of the carbon brushes, unscrewed with a screwdriver.

BEARINGS



Four bearings are used in the tool, one bearing is located on the end face of the output shaft, which makes the output shaft more fixed during operation, and also reduces the rolling of the formation disk.

ROTOR



- the inner part is made using the method of fully automatic thread winding, a grid is added around the rotor that prevents ingress of dust, small stones and other foreign bodies from onto the enamel wires (the enamel wire is made of copper wire, resistant to high temperatures up to 180°C) and increases the rotor service life. The silver content in the switch-board is 8/10000, which makes the switch-board surface smoother, increasing its service life.

THRUST WASHER, FLANGE NUT



The upper nickel-plated flange nut is silver colored, the lower washer is black in color with a rough structure, which increases reliability of disc fixation, and increases efficiency of operation and reduces the feeling of vibration in hands during operation.

STATOR



The copper thread inside is wound completely automatically, what increases the strength, durability, and service life.

GEARS



Gears are manufactured using the technology of thermal processing. The large and small teeth are hardened in vacuum, which ensures a high level of hardness of the gears and increases energy transfer, efficiency and service life.

CARBON BRUSHES



The carbon brushes used in the switch-board are sliding contacts for electric current output and input. Imported materials are used for their manufacturing, which increases their service life.

RULES OF OPERATION

1. Before work, please, check availability of the protective cover, the reliability of its fixation, and the reliability of the grinding wheel mounting on the angle grinder.
2. It is strictly forbidden to use damaged grinding wheels. During cutting, it is necessary to prevent uncontrolled spreading of sparks, their contact with other people. Cutting shall be performed away from flammable, explosive materials.
3. When the angle grinder is turned on, a hard push is possible, the tool must be held with both hands.
4. After turning the switch on, wait for steady rotation of the grinding wheel, only after that start work.
5. People should not stay in the direction of cutting.
6. After thirty minutes of continuous work, you must switch off the machine for 15 minutes. When the tool is cooled, you can continue its operation. After a long period of operation, the tool must be operated for a short time at idle for cooling.
7. When cutting or grinding with an angle grinder, the tool must be moved with a uniform force.
8. Do not touch the parts while operating the angle grinder.
9. In the event unusual sounds or excessive vibration or current leakage occur, you must immediately stop work and inspect the machine. Before repairing or replacing parts, first disconnect the machine from the power source and wait for the grinding wheel to stop completely.
10. When operating (cutting with) the angle grinder in wet places, it is necessary to stand on the insulating liner and the dry board. When working at a height or in places with increased explosion hazard and other dangerous places, it is necessary to take the necessary protective measures.
11. Carbon brushes of the angle grinder are consumables, their replacement is required after a short period of operation. During the replacement, it is necessary to ensure their proper contact.
12. In case of power cut, or when you rest or leave the workplace, you must disconnect the machine from the power source.
13. After completion of work, you need to put things in order at the workplace.

MAINTENANCE

The angular grinder is subject to inevitable wear and tear even when operated properly and therefore it is necessary to timely carry out its maintenance.

Below several types of maintenance operations are listed:

1. Regularly inspect the reliability of connection of electric power cable, proper fixation of power plug, mobility and reliability of power button movement.
2. Inspect the carbon brushes for excessive wear and, if necessary, immediately replace them to avoid bad contact between carbon brushes and formation of excessive sparks or burnout of the rotor.
3. Check the air inlet and air outlet for debris. Clean the tool from dust and oil stains.
4. It is necessary to add lubricant in time.
5. Check the marking of the angle grinder. Do not use an angular grinding machine: without marking, with illegible marking.
6. Inspect the angle grinder for defects

There are two ways to check:

- Visual inspection, check the surface wear, the presence of cracks, chips.
- Tap test. It is mainly used to check the inner parts of the angle grinder. This test method includes tapping of an angular grinding machine with a wooden beater. If there is no problem with the angle grinder, then the sound must be clear. If another sound is heard, then this is indicative of a problem.

7. Check the rotation of the angle grinder.

A selective test of the strength of angle grinders of various models, various batches is carried out. The angle grinders that not passed such tests are not allowed for operation.

Maintenance of the machine must only be carried out by qualified personnel of authorized service centers.



TERMS OF WARRANTY SERVICE

1. This Warranty Certificate is the only document that confirms your right to free warranty service. Without presenting this certificate, no claims are accepted. In case of loss or damage, the warranty certificate is not restored.

2. The warranty period for the electric machine is 12 months from the date of sale, during the warranty period the service department eliminates manufacturing defects and replaces parts that have failed due to the fault of the manufacturer free of charge. In the warranty repair, an equivalent operable product is not provided. Replaceable parts become property of service providers.

P.I.T. is not liable for any damage that may be caused by operation of the electric machine.

3. Only clean tool accompanied with the following duly executed documents: this Warranty Certificate, Warranty Card, with all fields filled out, bearing the stamp of the trade organization and the signature of the buyer, shall be accepted for warranty repair.

4. Warranty repair is not performed in the following cases:

- in the absence of a Warranty Certificate and a Warranty Card or their incorrect execution;
- with failure of both a rotor and a stator of the electric engine, charring or melting of primary winding of the welding machine transformer, charging or starting-charging device, with internal parts melting, burn down of electronic circuit boards;
- if a Warranty Certificate or a Warranty Card does not correspond to this electric machine or to the form established by the supplier;
- upon expiration of the warranty period;
- at attempts of opening or repair of the electric machine outside the warranty workshop; making constructive changes and lubrication of the tool during the warranty period, as evidenced, for example, by the creases on the spline parts of the fasteners of non-rotational parts.
- when using electric tools for production or other purposes connected with making a profit, as well as in case of malfunctions related to instability of the power network parameters exceeding the norms established by GOST;
- in the events of improper operation (use the electric machine for other than intended purposes, attachments to the electric machine of attachments, accessories, etc. not provided by the manufacturer);
- with mechanical damage to the case, power cord and in case of damages caused by aggressive agents and high and low temperatures, ingress of foreign objects in the ventilation grids of the electric machine, as well as in case of damage resulting from improper storage (corrosion of metal parts);
- natural wear and tear on the parts of the electric machine, as a result of long-term operation (determined on the basis of the signs of full or partial depletion of the specified mean life, great contamination, presence of rust outside and inside the electric machine, waste lubricant in the gearbox);
- use of the tool the purposes for other than specified in the operating instructions.
- mechanical damages to the tool;
- in the event of damages due to non-observance of the operating conditions specified in the instruction (see chapter "Safety Precautions" of the Manual).

- damage to the product due to non-observance of the rules of storage and transportation.

Preventive maintenance of electric machines (cleaning, washing, lubrication, replacement of anthers, piston and sealing rings) during the warranty period is a paid service.

The service life of the product is determined by the manufacturer and is 2 years from the date of manufacture,

The owner is notified of any possible violations of the above terms of warranty service upon completion of diagnostics in the service center.

The owner of the tool entrusts the diagnostic procedure to be conducted in the service center in his absence.

Do not operate the electric machine when there are signs of excessive heat, sparking, or noise in the gearbox. To determine the cause of the malfunction, the buyer should contact the warranty service center.

Malfunctions caused by late replacement of carbon brushes of the engine are eliminated at the expense of the buyer.

5. The warranty does not cover:

- replacement of parts (accessories and furniture), for example: accumulators, disks, knives, drills, bores, cartridges, chains, sprockets, collet clamps, buses, tensioning elements and fasteners, trim tabs, pads of grinders and tape machines, etc.
- quick-wear parts, for example: carbon brushes, drive belts, glands, protective covers, guide rollers, guides/rails, rubber seals, bearings, timing belts and wheels, shafts, brake band, ratchet wheels and starter cables, piston rings, etc. Replacing them during the warranty period is a paid service.
- power cords, in case of insulation damage, power cords are subject to mandatory replacement without the consent of the owner (paid service),
- casing of machine.



P.I.T. WARRANTY CERTIFICATE

Product Name _____

Product Number □□□□□□□□□□

Serial Number □□□□□□□□□□

Place of Seal

Sale Date _____

Trade Organization Name _____

Dear customer!

Thank you for purchasing the P.I.T tool, and we hope that you will be satisfied with your choice. In the process of manufacturing the P.I.T tools pass multilevel quality control, if nevertheless your product will need maintenance, please contact the authorized P.I.T service centers.

Attention!

When buying, ask a seller to check the completeness and operability of the tool, to fill out the Warranty Certificate, the Warranty Card (the boxes shall be filled out by a seller) and to affix the seal of the trade organization in the Guarantee Certificate and the Warranty Card.

Warranty

By this Warranty Certificate, P.I.T. company guarantees the absence of defects of the production nature.

In the event any of the above defects are detected during the warranty period, the specialized P.I.T. service centers shall repair the product and replace the defective spare parts free of charge.

The warranty period for P.I.T. electric machines is 12 months from the date of sale.

“The warranty maintenance terms acknowledged and accepted. The operability and completeness of the product are checked in my presence. No claims on quality and appearance.”

Buyer’s Signature _____ **Surname (legibly)** _____

Phone _____

ОБЩИЕ МЕРЫ БЕЗОПАСНОСТИ

БЕЗОПАСНОСТЬ РАБОЧЕГО МЕСТА

1. Содержите рабочее место в чистоте и обеспечьте его хорошее освещение. Если рабочее место загромождено или плохо освещено, это может привести к несчастным случаям.
2. Не следует эксплуатировать электрические машины в взрывоопасной среде (например, в присутствии воспламеняющихся жидкостей, газов или пыли). Машины с электрическим приводом являются источником искр, которые могут привести к возгоранию пыли или паров.
3. Не подпускайте детей и посторонних лиц к электрической машине в процессе ее работы. Отвлечение внимания может привести Вас к потере контроля над машиной.

ЭЛЕКТРИЧЕСКАЯ БЕЗОПАСНОСТЬ

1. Штепсельные вилки электрических машин должны подходить под розетки. Никогда не изменяйте штепсельную вилку каким-либо образом. Не используйте каких-либо переходников для машин с заземляющим проводом. Использование оригинальных вилок и соответствующих розеток уменьшит риск поражения электрическим током.
2. Не допускайте контакта тела с заземленными поверхностями, такими, как трубы, радиаторы, плиты и холодильники. Существует повышенный риск поражения электрическим током, если Ваше тело заземлено.
3. Не подвергайте электрические машины воздействию дождя и не держите их во влажных условиях. Вода, попадая в электрическую машину, увеличивает риск поражения электрическим током.
4. Обращайтесь аккуратно со шнуром. Никогда не используйте шнур для переноса, перетаскивания электрической машины и вытаскивания вилки из розетки. Исключите воздействие на шнур тепла, масла, острых кромок или движущихся частей. Поврежденные или скрученные шнуры увеличивают риск поражения электрическим током.
5. При эксплуатации электрической машины на открытом воздухе пользуйтесь удлинителем, пригодным для использования на открытом воздухе. Применение удлинителя, предназначенного для использования на открытом воздухе, уменьшает риск поражения электрическим током.
6. Если нельзя избежать эксплуатации электрической машины во влажных условиях, используйте источник питания, снабженный устройством защитного отключения (УЗО). Использование УЗО уменьшает риск поражения электрическим током.

ЛИЧНАЯ БЕЗОПАСНОСТЬ

1. Будьте бдительны, следите за своими действиями и руководствуйтесь здравым смыслом при эксплуатации электрических машин. Не пользуйтесь электрическими машинами, если Вы устали, находитесь под действием наркотических средств, алкоголя или лекарственных препаратов. Кратковременная потеря концентрации внимания при эксплуатации электрических машин может привести к серьезным повреждениям.
2. Пользуйтесь индивидуальными защитными средствами. Всегда надевайте средства для защиты глаз. Защитные средства, такие, как маски, предохраняющие от пыли, обивы, предохраняющая от скопления, каска или средства защиты ушей, используемые в соответствующих условиях, уменьшают опасность получения повреждений.
3. Не допускайте случайного включения машин. Обеспечьте, чтобы выключатель находился в положении «Отключено» перед подсоединением к сети и (или) к аккумуляторной батарее при подъеме и переносе машины. Если при переносе машины палец находится на выключателе или происходит подключение к сети машины, у которой выключатель находится в положении «Включено», это может привести к несчастному случаю.
4. Перед включением машины удалите все регулировочные или гаечные ключи. Ключ, оставленный вблизи вращающихся частей машины, может привести к травмированию оператора.
5. При работе не пытайтесь дотянуться до чего-либо, всегда сохраняйте устойчивое положение. Это позволит обеспечить лучший контроль над машиной в неожиданных ситуациях.
6. Используйте надлежащим образом. Не носите свободной одежды или ювелирных изделий. Не приближайте свои волосы, одежду и перчатки к движущимся частям машины. Свободная одежда, ювелирные изделия и длинные волосы могут попасть в движущиеся части.
7. Если предусмотрены средства для подсоединения к оборудованию для отсоса и сбора пыли, обеспечьте их надлежащее присоединение и эксплуатацию. Сбор пыли может уменьшить опасности, связанные с пылью.

УКАЗАНИЯ МЕР БЕЗОПАСНОСТИ ДЛЯ ШЛИФОВАЛЬНЫХ МАШИН

1. Угловые шлифовальные машины предназначены для шлифования абразивными кругами, наждачной бумагой, для работ с проволочной щеткой и в качестве отрезной шлифовальной машины. Учитывайте все предупреждающие указания, инструкции, иллюстрации и данные, которые Вы получите с электрической машиной. Не соблюдение указаний может привести к поражению электротоком, пожару и/или тяжелым травмам.
2. Не применяйте принадлежности, которые не предусмотрены изготовителем специально для настоящей электрической машины и не рекомендуются им. Только возможность крепления принадлежностей в Вашем электроинструменте не гарантирует еще его надежного применения.
3. Допустимое число оборотов рабочего инструмента должно быть не менее указанного на электрической машине максимального числа оборотов. Оснастка, вращающаяся с большей, чем допустимо скоростью, может разорваться и стать причиной травмы.
4. Наружный диаметр и толщина рабочего инструмента должны соответствовать размерам Вашей электрической машины. Неправильно соразмеренные рабочие инструменты не могут быть в достаточной степени защищены или контролироваться.
5. Шлифовальные круги, фланцы, шлифовальные тарелки или другие принадлежности должны точно сидеть на шпинделе Вашей электрической машины. Рабочие инструменты, неточно сидящие на шпинделе, вращаются с биением, сильно вибрируют и могут привести к потере контроля.
6. Не применяйте поврежденные рабочие инструменты. Проверяйте каждый раз перед использованием рабочие инструменты, как-то, шлифовальные круги на сколы и трещины, шлифовальные тарелки на трещины, риски или сильный износ, проволочные щетки на не закрепленные или поломанные проволоки.
7. Применяйте средства индивидуальной защиты. В зависимости от выполняемой работы применяйте защитный щиток для лица, защитные средства для глаз или защитные очки. Насколько уместно, применяйте противопылевой респиратор, средства защиты органов слуха, защитные перчатки или специальный фартук, которые защищают Вас от абразивных частиц и частиц материала. Глаза должны быть защищены от пыли и искр, которые возникают при выполнении различных работ. Противопылевой респиратор или защитная маска органов дыхания должны задерживать возникающую при работе пыль. Продолжительное воздействие сильного шума может привести к потере слуха.
8. Следите за тем, чтобы посторонние лица находились на безопасном расстоянии к Вашему рабочему участку. Каждое лицо в пределах рабочего участка должно иметь средства индивидуальной защиты. Осколки детали или разорванных рабочих инструментов могут отлететь в сторону и стать причиной травм также и за пределами непосредственного рабочего участка.
9. Держите электрическую машину только за изолированные поверхности рукояток, если Вы выполняете работу, при которой рабочий инструмент может попасть на скрытую электропроводку или на собственный шнур под подключения питания. Контакт с токоведущим проводом ставит под напряжение также металлические части электроинструмента и ведет к поражению электрическим током.
10. Держите шнур питания в стороне от вращающегося рабочего инструмента. Если Вы потеряете контроль над электрической машиной, то шнур питания может быть перерезан или захвачен вращающейся частью рабочего инструмента.
11. Никогда не выпускайте электрическую машину из рук, пока рабочий инструмент полностью не остановится. Вращающийся рабочий инструмент может зацепиться за опорную поверхность, и в результате Вы можете потерять контроль над электрической машиной.
12. Регулярно очищайте вентиляционные прозоры Вашей электрической машины. Вентилятор двигателя затягивает пыль в корпус, и большое скопление металлической пыли может привести к выходу инструмента из строя.
13. Не применяйте инструменты, требующую применения охлаждающих жидкостей. Применение воды или других охлаждающих жидкостей может привести к поражению электротоком.
14. Крепко держите электрическую машину и займите положение, в котором Вы можете противодействовать обратным силам. При наличии, всегда применяйте дополнительную рукоятку, чтобы как можно лучше противодействовать обратным силам или реакционным моментам при наборе оборотов.
15. Особенно осторожно работайте на углах, острых кромках и т.д. Предохраняйте отскок рабочего инструмента от заточки и его заклинивание. Вращающийся рабочий инструмент склонен на углах, острых кромках и при отскоке к заклиниванию. Это вызывает потерю контроля или обратный удар.

РАСШИФРОВКА ТОРГОВОЙ МАРКИ P.I.T.

P.I.T.[®] Progressive Innovational Technology (Прогрессивные Инновационные Технологии)

В настоящее время под маркой P.I.T. выпускается механическое и электрическое оборудование 10 видов.

По объему продаж угловые шлифовальные машины занимают одно из лидирующих мест.

Каждая буква и цифра в обозначении модели шлифовальных машин P.I.T. имеет значение.

Например, PWS125-C5

P – торговая марка P.I.T.

WS – угловая шлифовальная машина

125 – диаметр диска

C5 – серия модификации

ПРИНЦИП РАБОТЫ

Принцип работы угловой шлифмашины следующий. Инструмент питается от стандартной сети электропитания. Электричество приводит в движение двигатель угловой шлифовальной машины (УШМ), который посредством шестеренок приводит в движение насадку. Один из основных элементов УШМ – та принадлежность (круги, диски, щетки), которая используется в данный момент, именно она определяет способ применения инструмента и конечный результат работы.

НАЗНАЧЕНИЕ

Угловая шлифовальная машина предназначена для выполнения отрезных, зачистных и шлифовальных работ по металлическим изделиям без подачи воды с помощью шлифовальных или отрезных кругов. Не допускается выполнять работу машиной по бетону, камню, кирпичу и асбестосодержащим материалам.

РАСШИФРОВКА ДАТЫ ИЗГОТОВЛЕНИЯ ИЗДЕЛИЯ

Дата изготовления изделия зашифрована в серийном номере, напечатанном на корпусе инструмента. Первые 2 цифры обозначают год выпуска, следующие 2 цифры – месяц и следующие 2 цифры – день

№.

1	7	0	7	3	0	0	3	9	5
---	---	---	---	---	---	---	---	---	---

 год месяц день

ТЕХНИЧЕСКИЕ ХАРАКТЕРИСТИКИ

Модель	Номинальное напряжение	Номинальная частота	Номинальная выходная мощность	Скорость вращения на холостом ходу	Диаметр диска	Вес (кг)
PWS125-C5	220 В	50 Гц	1000 Вт	11000 об/мин	125 мм	1.78
PWS125-C6	220 В	50 Гц	1050 Вт	3000-11000 об/мин	125 мм	1.8

КОМПЛЕКТ ПОСТАВКИ

- Угловая шлифовальная машина
- Быстросъемный кожух

- Ключ
- Руководство пользователя

ФУНКЦИОНАЛЬНЫЕ ВОЗМОЖНОСТИ И ОСОБЕННОСТИ ШЛИФОВАЛЬНОЙ МАШИНЫ

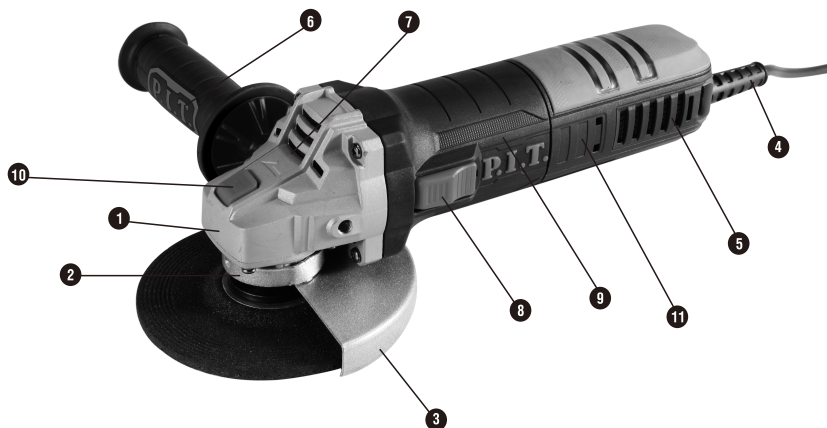
Функциональные возможности:

Резка, шлифовка разных сортов металлов.

Особенности:

- Двигатель из холоднокатаной стали, обладает высокой степенью устойчивости к поломкам и высокой мощностью с низким уровнем шума.
- В процессе работы мотор вырабатывает большой объем тепла, вентилятор своевременно отводит это тепло, не допуская перегрева инструмента и достигая высокого эффекта охлаждения.
- Шестеренки, выходной вал, изготовлены из высококачественной легированной стали при использовании передовой технологии термической обработки, что значительно увеличивает срок их службы.
- Блокирующаяся клавиша включения делает работу более безопасной для человека.
- Новейшая система защиты от пыли значительно увеличивает срок службы инструмента.

Модель	Быстрозажимной кожух	Задняя планка	Двойная изоляция	Клавиша самоблокировки	Блокировка основного вала	Регулятор скорости	Поворотная рукоятка	Плавный пуск	Защитный механизм запуска	Прорезиненная рукоятка	Двойная защита от пыли
PWS125-C5	<input type="checkbox"/>	<input checked="" type="checkbox"/>	<input checked="" type="checkbox"/>	<input type="checkbox"/>	<input checked="" type="checkbox"/>	<input type="checkbox"/>	<input type="checkbox"/>	<input type="checkbox"/>	<input type="checkbox"/>	<input checked="" type="checkbox"/>	<input checked="" type="checkbox"/>
PWS125-C6	<input type="checkbox"/>	<input checked="" type="checkbox"/>	<input checked="" type="checkbox"/>	<input type="checkbox"/>	<input checked="" type="checkbox"/>	<input checked="" type="checkbox"/>	<input type="checkbox"/>	<input type="checkbox"/>	<input type="checkbox"/>	<input checked="" type="checkbox"/>	<input checked="" type="checkbox"/>



1 Корпус редуктора



изготовлен из литого алюминия, который прошел прессовку, обработку и в завершении покраску, благодаря чему качество инструмента остается на высоте.

2 Противопыльная крышка



находится внутри корпуса редуктора. При резке и шлифовке эффективно защищает от попадания пыли, мелкого песка и камней других мелкогранульных предметов.

3 Защитный кожух



защищает от искр, летящих и под инструмента при обработке материала

4 Электрический кабель



состоит из прорезиненного внешнего слоя, который обладает высоким уровнем безопасности, устойчивостью к высоким температурам, коррозии.

5 Рукоятка



выполнена из прочного текстурированного пластика, что повышает удобство работы и надежность удержания инструмента.

6 Боковая рукоятка



позволяет надежнее удерживать машину при выполнении работ.

7 Воздуховпускное отверстие



состоит из двух слоев. Первый слой находится на поверхности, а второй слой – внутри корпуса. Вместе они образуют своего рода сетку. В результате значительно снижается количество пыли, песка и мелких частей, попадающих внутрь корпуса.

8 Клавиша включения



оснащена защитным переключателем отключения самоблокировки при большом токе, что повышает безопасность при эксплуатации.

9 Корпус и электродвигатель



выполнен из специального пластика (с добавлением нейлона), легкий, не проводит электричество, тепло. Для его создания использовались первоклассные изоляционные материалы.

10 Кнопка фиксации шпинделя

служит для блокировки шпинделя с последующей установкой отрезных дисков

11 Щеткодержатель

для быстрой замены угольных щеток, выкручивается отверткой

Подшипники



– в инструменте используется четыре подшипника, на концевом торце выходного вала расположен один подшипник, что делает более фиксированным выходной вал во время работы, а также снижает качество абразивного диска.

Шайба упорная, гайка-фланец



верхняя гайка-фланец никелированная, серебристого цвета, нижняя шайба упорная – черного цвета с шероховатой структурой, что повышает надежность фиксирования диска, одновременно увеличивает эффективность работы и снижает чувство вибрации в руках во время работы.

Шестеренки



для их создания используется технология термической обработки. Большие и малые зубья подвергнуты вакуумной закалке, что делает шестерни высокого уровня твердости. Благодаря этому осуществляется передача большой энергии, увеличивается эффективность и срок эксплуатации.

Ротор



– внутренняя часть выполнена способом полностью автоматического накручивания нити, вокруг ротора добавлена сетка, препятствующая попаданию на эмалевые провода пыли, мелких камней и других инородных тел (эмалевый провод выполнен из медной проволоки, обладает устойчивостью к высоким температурам до 180С), что увеличивает срок службы ротора. Содержание серебра в коммутаторе 8/10000, что делает поверхность коммутатора более гладкой, увеличивая срок эксплуатации.

Статор



Медная нить внутри накручена полностью автоматическим способом, что увеличивает прочность, долговечность, срок эксплуатации.

Угольные щетки



использующиеся на коммутаторе, являются скользящим контактом ввода и вывода электрического тока. Для их создания используются импортные материалы, что увеличивает срок эксплуатации.

ПРАВИЛА ЭКСПЛУАТАЦИИ

1. Перед работой обязательно проверить наличие защитного кожуха, степень его фиксации, а также надежность установки шлифовального диска на угловую шлифовальную машину.
2. Строго запрещено использовать шлифовальные круги с повреждениями. Во время резки необходимо предотвратить неконтролируемое разлетание искр, их попадание на других людей. Резку производить вдали от легковоспламеняющихся, взрывоопасных материалов.
3. При включении угловой шлифовальной машины возможен сильный толчок, инструмент необходимо держать обеими руками.
4. После включения переключателя дождаться, когда шлифовальный круг наберет стабильные обороты, только после этого начинать работу.
5. В направлении резки не должны находиться люди.
6. После получасовой непрерывной работы необходимо приостановить работу на 15 минут. После охлаждения инструмента можно продолжить работу. После длительной эксплуатации инструмент должен поработать непродолжительное время на холостом ходу, для охлаждения прибора.
7. При резке или шлифовании с помощью угловой шлифовальной машины инструмент нужно двигать с равномерным усилием.
8. Не брать руками за детали во время осуществления работы угловой шлифовальной машиной.
9. При появлении необычных звуков или слишком большой вибрации, или утечки тока, необходимо немедленно приостановить работу и осмотреть инструмент. Перед ремонтом или заменой деталей предварительно отключить инструмент от источника питания, и дождаться когда шлифовальный круг полностью остановится.
10. Во время работы (резки) угловой шлифовальной машины в местах с повышенным содержанием влаги необходимо становиться на изоляционную подкладку или сухую доску. При работе на высоте или в местах с повышенной взрывоопасностью и других опасных метаях необходимо предпринять необходимые защитные меры безопасности.
11. Угольные щетки угловой шлифовальной машины являются расходным материалом, их замена требуется после непродолжительного периода эксплуатации. Во время замены обратить внимание на их хороший контакт.
12. При отключении электричества, отдыхе или покидании рабочего места, необходимо отключать инструмент от источника питания.
13. После завершения работы нужно навести порядок на рабочем месте.

ТЕХНИЧЕСКОЕ ОБСЛУЖИВАНИЕ

Угловая шлифовальная машина даже при нормальной работе подвержена неизбежному износу, необходимо осуществлять за ней своевременный уход.

Ниже приведено несколько пунктов по обслуживанию:

1. Регулярно осматривать надежность соединения кабеля электрического питания, расшатанность вилки, подвижность и надежность движения клавиши включения.
2. Осматривать угольные щетки на предмет чрезмерного износа, при необходимости немедленно менять, чтобы избежать плохого контакта угольных щеток и образования слишком больших искр или перегорания якоря.
3. Проверять воздухопускное и воздуховыпускное отверстия на предмет засоренности. Очищать инструмент от пыли и масляных пятен.
4. Необходимо своевременно добавлять смазку.
5. Проверять маркировку угловой шлифовальной машины. Не допускается использование угловой шлифовальной машины: без маркировки, с плохо читаемой маркировкой.
6. Осматривать угловую шлифовальную машину на предмет дефектов

Существует два способа проверки:

- Визуальный осмотр, проверить износ поверхности, наличие трещин, сколов.
 - Проверка простукиванием. Главным образом, так проверяются внутренности угловой шлифовальной машины. Смысл этого способа заключается в простукивании деревянной колотушкой угловой шлифовальной машины. Если с угловой шлифовальной машиной проблем нет, то звук должен быть звонкий. Если слышен другой звук, то это свидетельствует о наличии проблемы.
7. Проверить надежность вращения угловой шлифовальной машины.

Проводится выборочная проверка прочности угловых шлифовальных машин различных моделей, различных партий. Не прошедшие тестирование угловые шлифовальные машины ни в коем случае нельзя эксплуатировать.

Обслуживание инструмента должно быть выполнено только квалифицированным персоналом уполномоченных сервисных центров.

УСЛОВИЯ ГАРАНТИЙНОГО ОБСЛУЖИВАНИЯ

1. Настоящее гарантийное свидетельство является единственным документом, подтверждающим Ваше право на бесплатное гарантийное обслуживание. Без предъявления данного свидетельства претензии не принимаются. В случае утери или порчи гарантийное свидетельство не восстанавливается.

2. Гарантийный срок на электроинструмент составляет 12 месяцев со дня продажи, в течение гарантийного срока сервисная служба бесплатно устраняет производственные дефекты и производит замену деталей, вышедших из строя по вине изготовителя. На период гарантийного ремонта эквивалентный исправный инструмент не предоставляется. Заменяемые детали переходят в собственность служб сервиса. Компания P.I.T. не несет ответственности за вред, который может быть причинен при работе с электроинструментом.

3. В гарантийный ремонт инструмент принимается в чистом виде, при обязательном наличии надлежащим образом оформленных документов: настоящего гарантийного свидетельства, гарантийного талона, с полностью заполненными полями, штампом торговой организации и подписью покупателя.

4. Гарантийный ремонт не производится в следующих случаях:

- при отсутствии гарантийного свидетельства и гарантийного талона или неправильном их оформлении;
- при совместном выходе из строя якоря и статора электродвигателя, при обугливания или оплавлении первичной обмотки трансформатора сварочного аппарата, зарядного или пуско-зарядного устройства, при оплавлении внутренних деталей, прожиге электронных плат;
- если гарантийное свидетельство или талон не принадлежат данному электроинструменту или не соответствует установленному поставщиком образцу;
- по истечении срока гарантии;
- при попытках самостоятельного вскрытия или ремонта электроинструмента вне гарантийной мастерской; внесения конструктивных изменений и смазки инструмента в гарантийный период, о чем свидетельствуют, например, заломы на шлицевых частях крепежа корпусных деталей.
- при использовании электроинструмента в производственных или иных целях, связанных с получением прибыли, а также – при возникновении неисправностей связанных с нестабильностью параметров электросети, превышающих нормы, установленные ГОСТ;
- при неправильной эксплуатации (использование электроинструмента не по назначению, установки на электроинструмент не предназначенных заводом-изготовителем насадок, дополнительных приспособлений и т.п.;
- при механических повреждениях корпуса, сетевого шнура и при повреждениях, вызванных воздействиями агрессивных средств и высоких и низких температур, попадании инородных предметов в вентиляционные решетки электроинструмента, а также при повреждениях, наступивших в результате неправильного хранения(коррозия металлических частей);
- при естественном износе деталей электроинструмента, в результате длительной эксплуатации(определяется по признакам полной или частичной выработки ресурса, сильного загрязнения, ржавчины снаружи и внутри электроинструмента, отработанной смазки в редукторе);
- использование инструмента не по назначению, указанному в инструкции по эксплуатации.
- при механических повреждениях инструмента;
- при возникновении повреждений в связи с несоблюдением предусмотренных инструкцией условий эксплуатации(см. главу Указание по технике безопасности в инструкции).

-повреждение изделия вследствие несоблюдения правил хранения и транспортировки.

Профилактическое обслуживание электроинструмента (чистка, промывка, смазка, замена пыльников, поршневых и уплотнительных колец) в гарантийный период является платной услугой.

Срок службы изделия установлен изготовителем и составляет 2 года со дня изготовления.

О возможных нарушениях, изложенных выше условий гарантийного обслуживания, владельцу сообщается после проведения диагностики в сервисном центре.

Владелец инструмента доверяет проведение диагностики в сервисном центре в свое отсутствие.

Запрещается эксплуатация электроинструмента при проявлении признаков повышенного нагрева, искрения, а также шума в редукторной части. Для выяснения причин неисправности покупателю следует обратиться в гарантийную мастерскую.

Неисправности, вызванные несвоевременной заменой угольных щеток двигателя, устраняются за счет покупателя.

5. Гарантия не распространяется на:

- сменные принадлежности (аккумуляторы и оснастка), например: аккумуляторы, диски, ножи, сверла, буры, патроны, цепи, звездочки, цанговые зажимы, шины, элементы натяжения и крепления, головки триммеров, подошвы шлифовальных и ленточных машин, фильтры и т.п.
- быстроизнашивающиеся детали, например: угольные щетки, приводные ремни, сальники, ленточные кожухи, направляющие ролики, направляющие, резиновые уплотнения, подшипники, зубчатые ремни и колеса, стволы, ленты тормоза, хrapовики и тросы стартеров, поршневые кольца и т.п. Замена их в течение гарантийного срока является платной услугой.
- шнуры питания, в случае повреждения изоляции, шнуры питания подлежат обязательной замене без согласия владельца (услуга платная).
- корпуса инструмента.

ГАРАНТИЙНОЕ СВИДЕТЕЛЬСТВО НА ИНСТРУМЕНТ P.I.T.

Наименование изделия _____
Артикул изделия
Серийный номер
Дата продажи «__» _____
Наименование торговой организации _____

М.П.

Уважаемый покупатель!

Благодарим Вас за покупку инструмента P.I.T. и надеемся, что Вы останетесь довольны своим выбором. В процессе производства инструменты P.I.T. проходят многоуровневый контроль качества, если тем не менее Ваше изделие будет нуждаться в обслуживании, просим Вас обращаться в авторизированные сервисные центры P.I.T.

Внимание!

При покупке требуйте у продавца проверки комплектности и работоспособности инструмента, заполнение гарантийного свидетельства, гарантийного талона(графы заполняются продавцом) и простановки печати торговой организации в гарантийном свидетельстве и гарантийном талоне.

Гарантия

На основании данного гарантийного свидетельства компания P.I.T. гарантирует отсутствие дефектов производственного характера.

Если в течении гарантийного срока в Вашем изделии тем не менее обнаружатся указанные дефекты, специализированные сервисные центры P.I.T. бесплатно отремонтируют изделие и заменят дефектные запасные части.

Гарантийный срок на электроинструменты P.I.T. составляет 12 месяцев со дня продажи.

«С условиями гарантийного обслуживания ознакомлен(а). Работоспособность и комплектность изделия проверены в моем присутствии. Претензий к качеству и внешнему виду не имею».

Подпись покупателя _____ Фамилия(разборчиво) _____

Телефон _____

P.I.T. WARRANTY CARD



ГАРАНТИЙНЫЙ ТАЛОН P.I.T.

Наименование _____
Серийный номер _____
Дата продажи «__» _____ 20__ г. _____
Дата получения из ремонта «__» _____ 20__ г. _____



Наименование _____
Серийный номер _____
Дата продажи «__» _____ 20__ г. _____
(Заполняется продавцом) М.П.

КАРТА ГАРАНТИЙНОГО РЕМОНТА __
Дата приема в ремонт _____ 20__ г. _____
Заявка на ремонт _____
Заказчик _____
Телефон(адрес) _____
Причина обращения _____ М.П.
Дата получения из ремонта _____ 20__ г. _____
Инструмент проверен в моем присутствии _____
(Заказ заполняется в сервисном центре) (подпись)

Наименование _____
Серийный номер _____
Дата продажи «__» _____ 20__ г. _____
Дата получения из ремонта «__» _____ 20__ г. _____



Наименование _____
Серийный номер _____
Дата продажи «__» _____ 20__ г. _____
(Заполняется продавцом) М.П.

КАРТА ГАРАНТИЙНОГО РЕМОНТА __
Дата приема в ремонт _____ 20__ г. _____
Заявка на ремонт _____
Заказчик _____
Телефон(адрес) _____
Причина обращения _____ М.П.
Дата получения из ремонта _____ 20__ г. _____
Инструмент проверен в моем присутствии _____
(Заказ заполняется в сервисном центре) (подпись)

Наименование _____
Серийный номер _____
Дата продажи «__» _____ 20__ г. _____
Дата получения из ремонта «__» _____ 20__ г. _____



Наименование _____
Серийный номер _____
Дата продажи «__» _____ 20__ г. _____
(Заполняется продавцом) М.П.

КАРТА ГАРАНТИЙНОГО РЕМОНТА __
Дата приема в ремонт _____ 20__ г. _____
Заявка на ремонт _____
Заказчик _____
Телефон(адрес) _____
Причина обращения _____ М.П.
Дата получения из ремонта _____ 20__ г. _____
Инструмент проверен в моем присутствии _____
(Заказ заполняется в сервисном центре) (подпись)



WARRANTY CARD

Name _____
Serial number _____
The date of sale 20 ____
The date of receipt of the repair 20 ____



Name _____
Serial number _____
Date of sale "" _____
(Filled by seller)

Seal is here

WARRANTY REPAIR CARD
date of acceptance for repair ____ 20 ____
Application for repair _____
Customer _____
Telephone (address) _____
The reason for petition _____
Tool checked in my presence _____
(The order is filled in the service center) (signature)

Seal is here

Name _____
Serial number _____
The date of sale 20 ____
The date of receipt of the repair 20 ____



Name _____
Serial number _____
Date of sale "" _____
(Filled by seller)

Seal is here

WARRANTY REPAIR CARD
date of acceptance for repair ____ 20 ____
Application for repair _____
Customer _____
Telephone (address) _____
The reason for petition _____
Tool checked in my presence _____
(The order is filled in the service center) (signature)

Seal is here

Name _____
Serial number _____
The date of sale 20 ____
The date of receipt of the repair 20 ____



Name _____
Serial number _____
Date of sale "" _____
(Filled by seller)

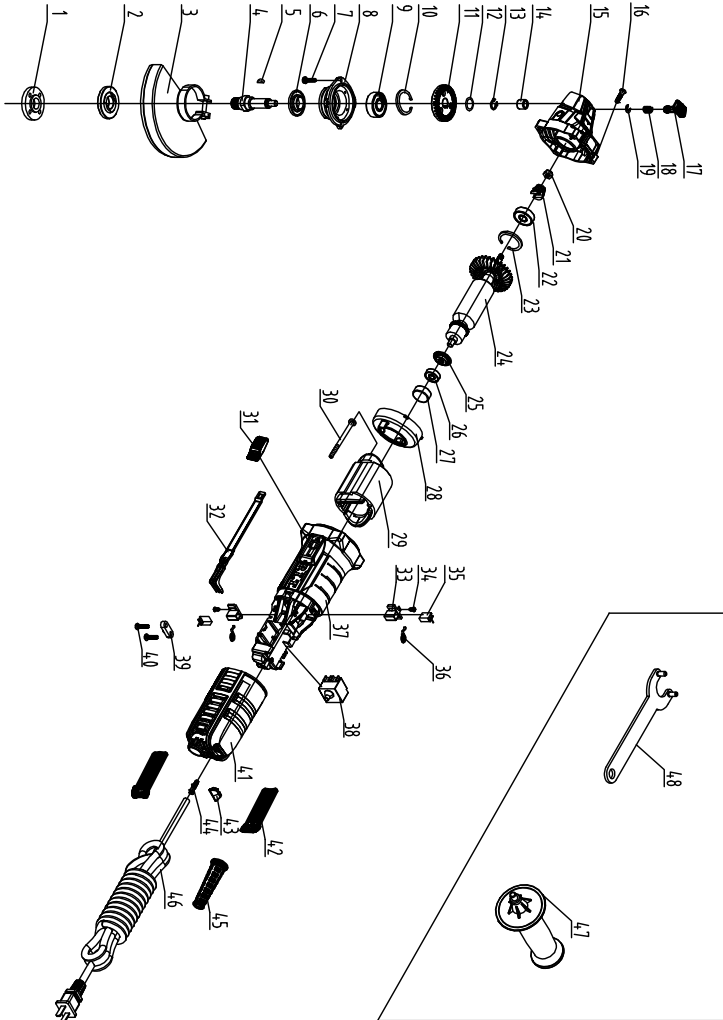
Seal is here

WARRANTY REPAIR CARD
date of acceptance for repair ____ 20 ____
Application for repair _____
Customer _____
Telephone (address) _____
The reason for petition _____
Tool checked in my presence _____
(The order is filled in the service center) (signature)

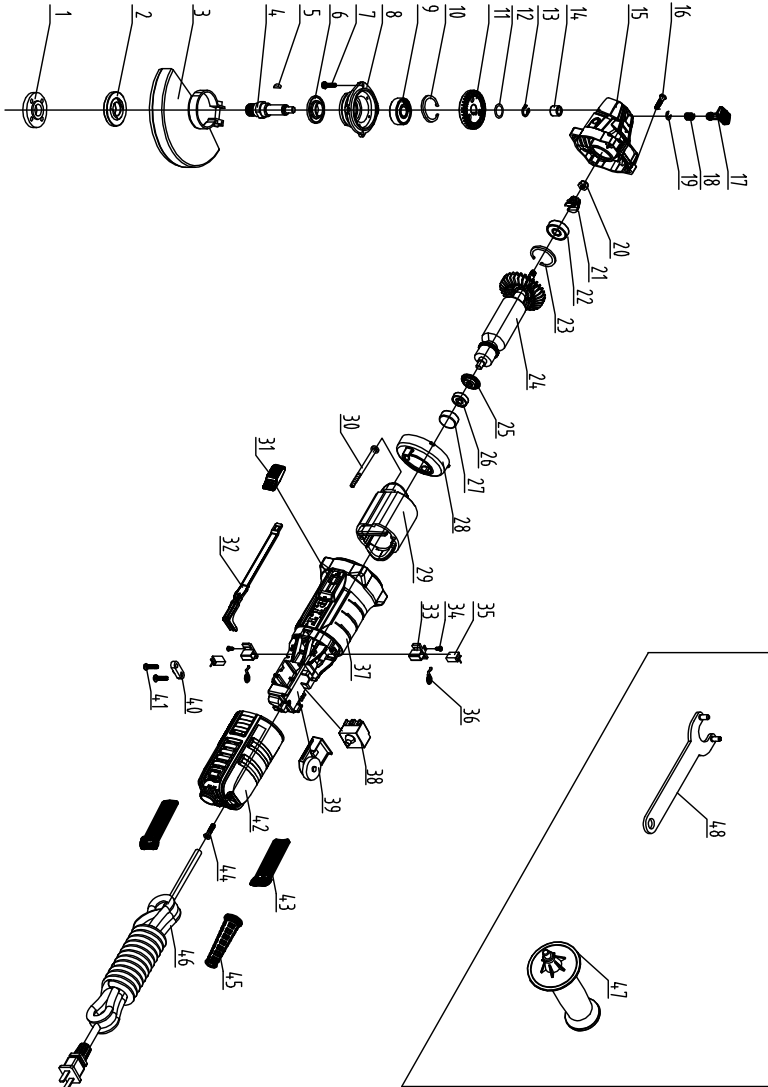
Seal is here



PWS125-C5



PWS125-C6





Поставщик / производитель: Xinjiang Longbo Industrial Co., Ltd./Синзянь Лонгбо Индастриал Ко., Лтд.
Адрес производства: Rm. 602, 6th Floor, No. 531, Weixing Road, Economic And Technological Development Zone, Urumqi, Xinjiang, China / Оф.602, 6 этаж, №531, Вейшинг Родд, Экономик Энд Технолджикал Девелопмент Зон, Урумчи, Синзянь, Китай
Импортер/ организация, уполномоченная принимать претензии: ООО «Турбо-Тулс»
Юридический адрес: 614058, Пермский край, г. Пермь, ул. Фоминская, 36
info@pittools.ru
Сделано в КНР / Made in China

